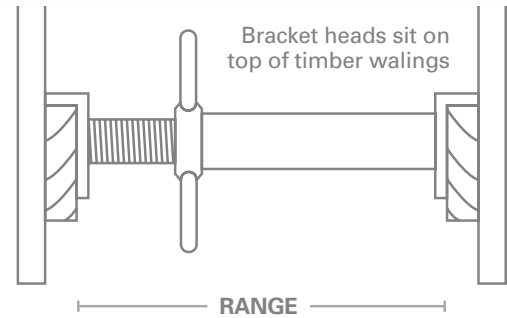


# TRENCH JACKS

Trench Jacks are used to support timber shoring. End bracket heads are manufactured to sit on walings that run horizontal along the trench.

## TRENCH JACK SPECIFICATIONS

Size	Range (min)	Range (max)	S.W.L at max. ext.
H1	450mm	780mm	71kPa
H2	680mm	1080mm	67kPa
H3	1060mm	1530mm	62kPa
H4	1520mm	1980mm	58kPa



# TIMBER SHORING

Shore Hire carries a large range of timber shoring and trench jacks.

Timber shoring is ideally suited in applications where there is no machinery access and shoring needs to be constructed manually or on excavations that contain large amounts of pipe work and cables.

