

**shorehire.**

# Acrow Props



# Acrow Props

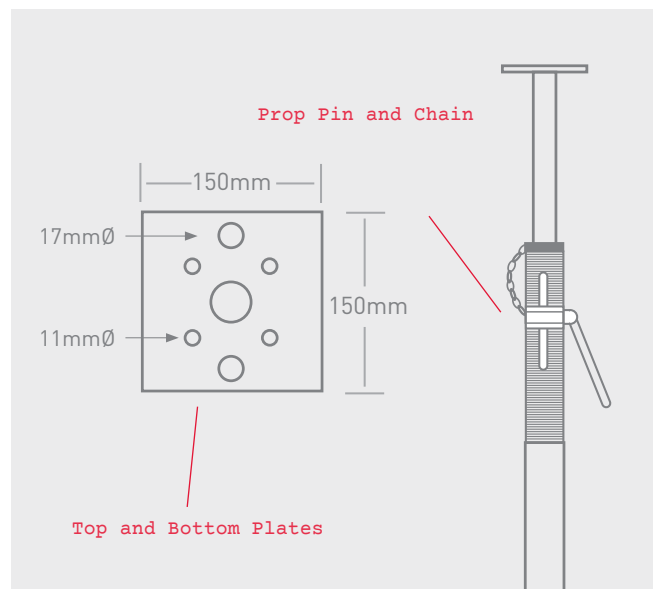


**Simplest and quickest method in any form of temporary support with a multitude of uses.**

Adjustable Steel Props are designed and manufactured to fully satisfy the requirements of the Australian Formwork Code. They provide excellent temporary support and are economical, easy and quick to erect.

## ACROW PROP SPECIFICATIONS

Size	WLL Closed	At Min Height	WLL Open	At Max Height	Weight of Prop
No. 0	40kN	1100mm	31kN	1975mm	13kg
No. 1	40kN	1625mm	26kN	2730mm	16kg
No. 2	29kN	1945mm	14kN	3365mm	19kg
No. 3	26kN	2545mm	10kN	3965mm	22kg
No. 4	26kN	3230mm	8kN	5170mm	26kg



# Strong Boys

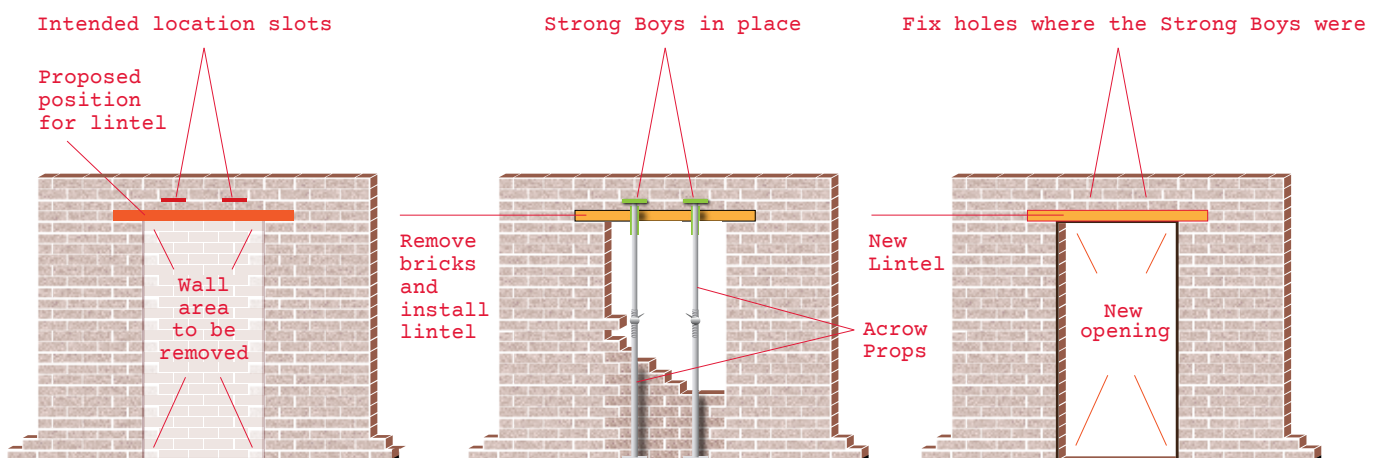


**Supporting walls while you fit lintels or beams can be difficult but not with the Strong Boy wall support.**

Simply hammer the blade into a raked mortar joint and support it with a single steel prop while you remove the masonry beneath (Refer to an engineer for load capacities).

- Designed to fix to standard Acrow Prop
- The handle allows easy installation
- WLL 340kg

## New opening methodology



**SYDNEY BRANCH**

360 Edgar Street  
Condell Park NSW 2200  
sydney@shorehire.com.au  
T: 02 8708 1200

**NEWCASTLE BRANCH**

18 Yilen Close  
Beresfield NSW 2322  
newcastle@shorehire.com.au  
T: 02 4918 2500

**MELBOURNE BRANCH**

1 Oban Court  
Laverton North VIC 3026  
melbourne@shorehire.com.au  
T: 03 9344 6400

**BRISBANE BRANCH**

11 Angel Road  
Stapylton QLD 4207  
brisbane@shorehire.com.au  
T: 07 3080 4000

**HEAD OFFICE**

PO Box CP449  
Condell Park NSW 2200  
354 Edgar Street  
Condell Park NSW 2200  
accounts@shorehire.com.au  
T: 02 8708 1250

**1300 SHORE HIRE****shorehire.com.au****shorehire.**