

**PRODUCT: STEEL PLATES**  
**REFERENCE: TDT01-PAGE 1**



Shore Hire Pty. Ltd.  
 PO Box CP449  
 354 Edgar Street  
 Condell Park  
 NSW 2200  
 Tel: 02 8708 1200  
 Fax: 02 87081222  
 Email: info@shorehire.com.au  
 Web: www.shorehire.com.au

# TECHNICAL DATA

## Description

Shore Hire offer a range of steel plates for hire. Steel plates can have various uses on a construction site including concrete protection, crossings over trenches for construction site traffic, driveway access, pedestrian access, end shoring on trench box shoring, crane outrigger bearing pads etc. All Shore Hire steel plates are fitted with rated plate lifter lifting devices which promotes and allows the safe and efficient installation and removal of steel plates on site.

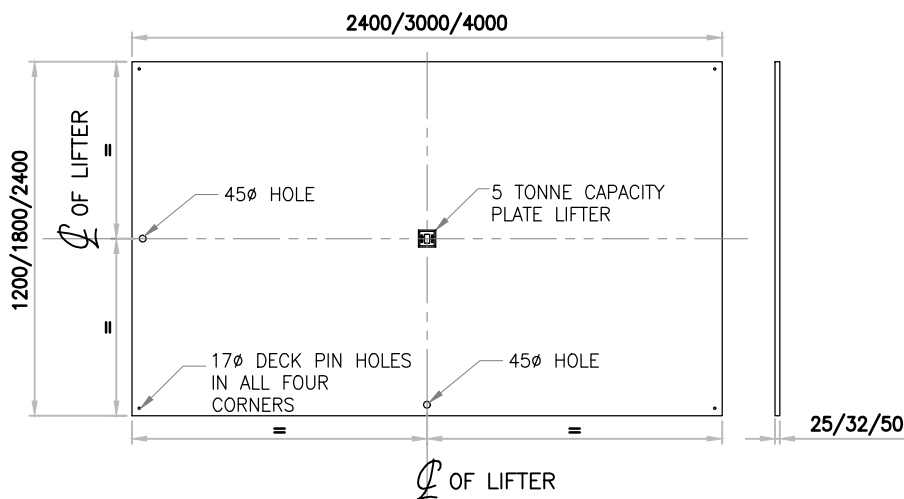
Each plate lifting device has a rated capacity of 5 tonne, in accordance with the test requirements set out in Section 12.2.1 of Australian Standard AS 4991-2004: - Lifting Devices.

## Features

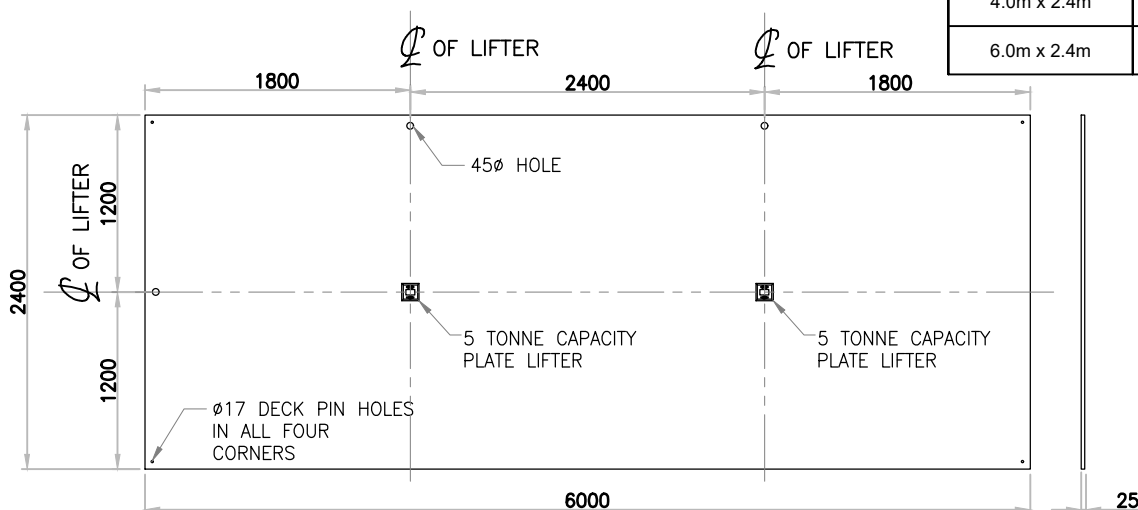
- All Shore Hire steel plates are minimum grade 250 in accordance with Australian Standard AS 3678: 2011 - Structural Steel - Hot-rolled plates, floorplates and slabs.
- Plate Lifting devices have a rated capacity of 5 tonne in accordance with Section 12.2.1 of Australian Standard AS 4991: 2004 - Lifting Devices.
- Deck pin holes have been provided in all 4 corners.
- 45Ø holes have been provided to facilitate hanging chains for end shoring or other site applications.
- Slip resistant coated road plates available with min. BPN of 55 in accordance with AS 4663:2013.

### STEEL PLATE DETAILS

Plate Size	Thickness (mm)	Weight (kg)
1.2m x 1.2m	25	290
2.4m x 1.2m	25	575
2.4m x 2.4m	25	1128
3.0m x 1.2m	25	710
3.0m x 1.8m	25	1150
3.0m x 1.8m	32	1360
3.0m x 2.4m	25	1425
3.0m x 2.4m	32	1820
4.0m x 1.8m	25	1425
4.0m x 1.8m	32	1820
4.0m x 1.8m	50	2826
4.0m x 2.4m	25	1884
4.0m x 2.4m	32	2426
6.0m x 2.4m	25	2840



### 2.4m, 3m & 4m LONG STEEL PLATES



### 6m LONG STEEL PLATES