

The Experts in Temporary Works Solutions.

CAPABILITY STATEMENT

SHORE HIRE PTY LTD

shorehire.

Helping contractors deliver their projects efficiently and safely by providing expert advice and innovative products.



Expert help at every step of your project.

By owning the design, manufacturing and distribution of our products, Shore Hire make sure our customers always get the best result.



**100%
AUSTRALIAN
OWNED & MADE**



**600+ YEARS
COMBINED
INDUSTRY
EXPERIENCE**



**80+ VEHICLES
ON THE ROAD
TO SERVICE
YOUR SITES**



**8 LOCATIONS
ACROSS 4
STATES**



**1 COMPLETE
SOLUTION
PROVIDER WITH
SHORE HIRE**

shorehire.

ABOUT US

As a privately owned Australian company, Shore Hire provides the safest and most innovative solutions in the Australian temporary works space to enable our valued customers to deliver their projects safely and efficiently. Shore Hire is primarily an equipment rental business, but we also offer industry-leading capabilities in sales, engineering, manufacturing, transport, and on-site installation.

OUR TEAM

Our team of over 200 staff bring forth a deep understanding of the temporary works industry through many years of combined industry experience. We have a proven track record of delivering exceptional service and results with our loyal customers which has enabled Shore Hire to be viewed as the national leader in the key temporary works solutions of- shoring, propping, and traffic. With world-class engineers and an eager team of technical sales representatives Shore Hire is here to service your every need on your next project and beyond.



CORE FUNCTIONS



HIRE



MANUFACTURING



SALES



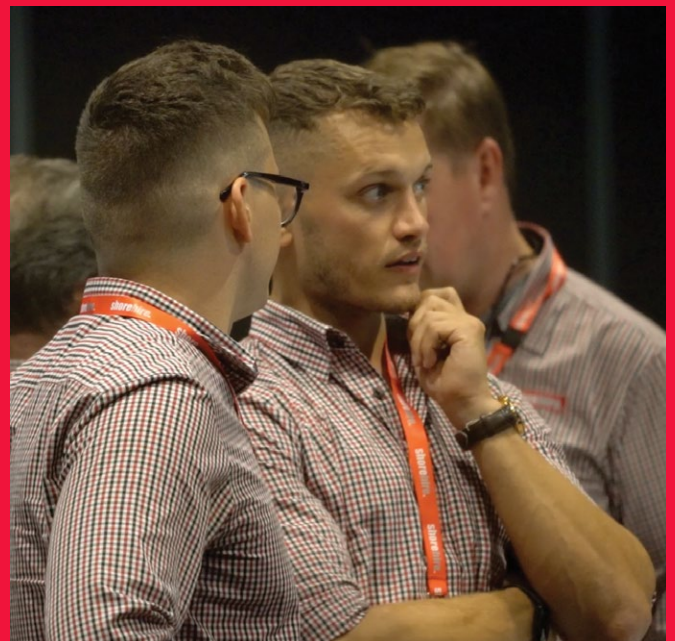
TRANSPORT



ENGINEERING



INSTALLATION





WHERE WE OPERATE

Shore Hire began in Sydney in 2008 and quickly grew to service the East Coast. We now have a truly national footprint and have completed projects in every state with development options underway for future branches as well.

OUR BRANCHES

Our branch, office, manufacturing, and repair locations are all fitted out to exact Shore Hire specifications, allowing us to maximise quality control and branch efficiency with national standards for paint bays, wash bays, yard configuration, office infrastructure, and more implemented across our entire national facility network.

MAJOR PROJECT SPECIALISTS

Our team of experts work on unique projects everyday with tier 1s and councils all the way through to home renovators. We've highlighted 2 recent projects below that we designed, supplied, and assisted with installation for.



01.

▶ [CLICK TO WATCH PROJECT VIDEO](#)

HYDRAULIC BRACING – MULGRAVE

A large and uniquely shaped excavation called for an innovative shoring solution on this job. Shore Hire's expert technical team created a detailed bracing design utilising the Shore Brace 400, this is Australia's only Australian-made hydraulic bracing system.



02.

▶ [CLICK TO WATCH PROJECT VIDEO](#)

FACADE RETENTION – DARLING POINT

A heritage-listed building with a delicate facade meant our customer needed a detailed and intricate propping design. Shore Hire's engineering team created an efficient propping plan using a number of Shore Hire's props which we also installed.



CORE PRODUCT

SHORING

▶ [CLICK TO LEARN MORE](#)

- Steel Shoring Boxes
- Aluminium Shoring Boxes
- Modular Aluminium Panel Shields (MAPS)
- Manhole Shoring Boxes
- Hydraulic Bracing (Shore Brace)
- Trench Sheets
- Edge Protection
- & More



CORE PRODUCT

PROPPING

▶ [CLICK TO LEARN MORE](#)

- Acrow Props
- Titan Props
- Tilt Props
- Engineered Blocks
- Multi Props
- Modular Propping Systems such as (Shore 100, Shore 400 and Shore 1000)
- & More



CORE PRODUCT

TRAFFIC

▶ [CLICK TO LEARN MORE](#)

- Steel Plates
- Concrete and Water-filled Barriers
- Ground Protection Mats
- Rumble Grids
- Temporary Bridges
- Kerb Ramps
- Trench Covers
- & More

OTHER KEY PRODUCTS



JACK & LIFTING

▶ [CLICK TO LEARN MORE](#)

- Hydraulic Jacks
- Synchronised Jacks
- Multi Loader 3.0FX
- Jacking Service



PIPE PLUGGING

▶ [CLICK TO LEARN MORE](#)

- PipeTest Plugs
- Bypass Test Plugs
- Pipe Test Accessories
- High Pressure Plugs



CONFINED SPACE

▶ [CLICK TO LEARN MORE](#)

- Oxygen Self Rescuer
- Heavy Duty Tripod
- Roll-up Rescue Stretcher
- Gas Detector
- & More



LASERS

▶ [CLICK TO LEARN MORE](#)

- Pipe Lasers
- Laser Calibration

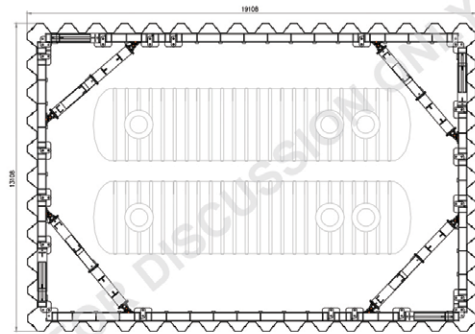
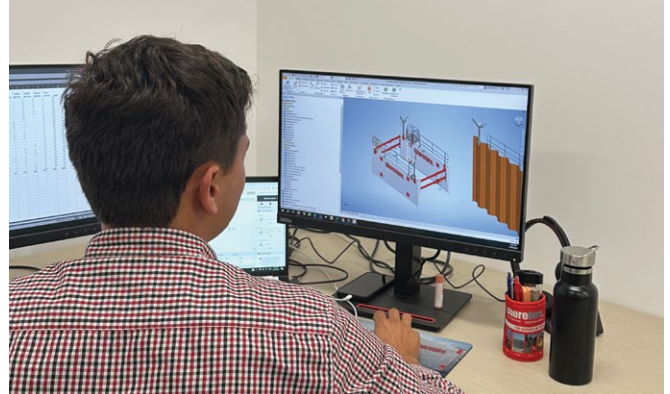
CAPABILITIES

ENGINEERING AND R&D

Shore Hire has a completely in-house temporary works engineering team who are experts in all of our products and their applications. They support our customers from advice through to fully certified temporary works designs and on-site sign-off.

Our expert team of engineers have seen it all, and review a staggering amount of jobs every month. Our engineering team also offer Lunch & Learns, to design engineering firms and customers to help educate and inform on best practice and safety.

In addition to our world-class project engineering team, we also have a dedicated product development team who work on research & development and product modelling for our innovative solutions.



PLAN VIEW - FRAME SB400 INSTALLATION
SCALE 1:100



ENGINEERED SOLUTIONS.

BESPOKE FABRICATION & MANUFACTURING

Shore Hire has full manufacturing capabilities and work in conjunction with our engineering team to design bespoke solutions.

With a team of over 15 based in New South Wales, Shore Hire's manufacturing team build several flagship Australian-made products and deliver an excellent standard of work.

We are solution-driven, and if we don't have a solution off the shelf that suits your product, we'll custom-build it for you.



Expert help at every step of your project.

- ADVICE
- DESIGN
- R&D
- MODELLING
- SITE SUPPORT



SERVICES

RIGGING & INSTALLATION

Shore Hire offers a complete installation and dismantle service for our entire propping and jacking and lifting product suite.

Our professional and expert team provide turnkey solutions nationwide, allowing Shore Hire to be known as the industry leader in rigging and installation across our product offering.



SERVICES

ON-SITE SUPPORT

Through our technical sales team, field engineers and project managers Shore Hire offer not only the best equipment but also the best on-site support and service in the industry.

All of our branches have a number of support staff available for on-site visits, and our truck drivers are also available to offer product and on-site support during delivery.



SERVICES

TRANSPORT FLEET

Shore Hire owns and operates a number of transport options including light vehicles, flatbed trucks, crane trucks, and more.

Shore Hire supports our customers by offering an on-site and pre-delivery build service, and always delivers the best solution for our customer's requirements.

CUSTOMER TESTIMONIALS

01.

“Thank you very much for going above and beyond today with the job in Parramatta. Your response to this job this morning was 10 out of 10 and producing a result straight away and working with Engineering to get the temp work design done within the hour so our job didn't stop. Thanks so much!”

**ADAM, SYDNEY
CIVIL CONTRACTOR**

02.

“Thank you for your ongoing ground support and friendly attitude every day! With multiple deep excavations and some tricky requirements to get around, you are always on-site to help get the job across the line. Looking forward to many more jobs together in the future, I will never hesitate to pass on your information to my colleagues.”

**OLIVIA, SYDNEY
PROJECT ENGINEER**

03.

“Shore Hire is outstanding! They jump onto everything straight away and their customer service is second to none. Not only that, but their products are always in excellent condition, and their utes and trucks are the most professional I've seen. I will not use anyone else, I would recommend everyone in the construction industry to use Shore Hire as their supplier.”

**JIMMY, GOLD COAST
PLUMBING CONTRACTOR**

04.

“I'd like to pass on the greatest of thanks for the successful implementation. Shore Hire's professionalism and attention to detail along the way have been much appreciated. Special thank you for your patience over the last several months. I will be passing on the details of your work to my colleagues, your ability will not go unnoticed.”

**JOHN, MELBOURNE
BUILDING CONTRACTOR**

05.

“From our first phone call to Shore Hire; to the delivery of the gear required – every promise was delivered upon and every expectation was met. It is a pleasure to deal with a company that is good at what they do. No fuss and no unexpected surprises. We will definitely be calling again.”

**DANNY, BRISBANE
PROPERTY OWNER**

HEAD OFFICE

PO Box CP449
Condell Park NSW 2200
166 Eldridge Road
Condell Park NSW 2200
02 8708 1250

SUNSHINE COAST BRANCH

16–24 Fred Chaplin Circuit
Bells Creek QLD 4551
07 5390 7700

BRISBANE BRANCH

27 Transport Street
Yatala QLD 4207
07 3080 4000

NEWCASTLE BRANCH

18 Yilen Close
Beresfield NSW 2322
02 4918 2500

SYDNEY BRANCH

360 Edgar Street
Condell Park NSW 2200
02 8708 1200

MELBOURNE EAST BRANCH

40 Argoon Road
Healesville VIC 3777
03 5929 4800

MELBOURNE WEST BRANCH

1 Oban Court
Laverton North VIC 3026
03 9344 6400

ADELAIDE BRANCH

34 Wingfield Road
Wingfield SA 5013
08 7077 0833



shorehire.

For more information,
please contact us

1300 746 734
hello@shorehire.com.au
shorehire.com.au