

TECH DATA REF: SHORING

PRODUCT: TRENCH SHEETS

REFERENCE: TDS09-PAGE 1

shorehire.

Shore Hire Pty. Ltd.
PO Box CP449
354 Edgar Street
Condell Park
NSW 2200
Tel: 02 8708 1200
Fax: 02 87081222
Email: info@shorehire.com.au
Web: www.shorehire.com.au

TECHNICAL DATA

TRENCH SHEETS

SHS-330/4 @ 3, 4 & 5m lengths

SHS-400/6 @ 4, 5 & 5.8m lengths

SHS-600/8 @ 5.8m lengths

(Custom lengths can be ordered upon request)

NOTES

1. All Trench Sheets have a minimum yield strength of 275MPa.
2. All dimensions in mm U.N.O.
3. Details of Series 200 Hydraulic Bracing System, Shore 400 & Shore 1000 props and accessories are outlined in the respective technical data documents.
4. Trench sheet lengths may vary as damaged sheets are re-rolled and/or cut for reuse. Contact Shore Hire for trench sheet lengths that are not specified.

ACCESSORIES

TRENCH SHEET BRACING

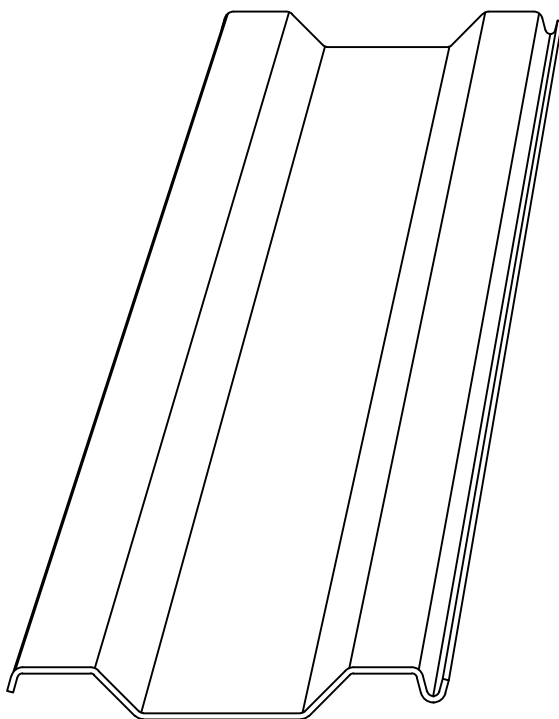
- Series 200 Hydraulic Bracing
- Shore 1000 Cross/Knee Bracing
- Shore 400 Cross/Knee Bracing
- Hanging Chains, Pins, Clips & Bolts

INSTALLATION & EXTRACTION

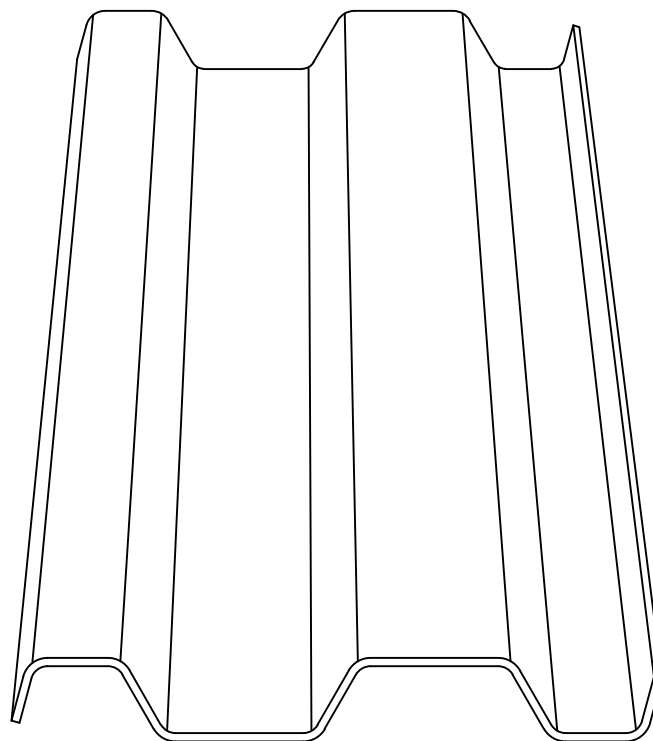
- Driving Cap
- Sheet Extractor
- EMV 300
- EMV 450

SAFETY EQUIPMENT

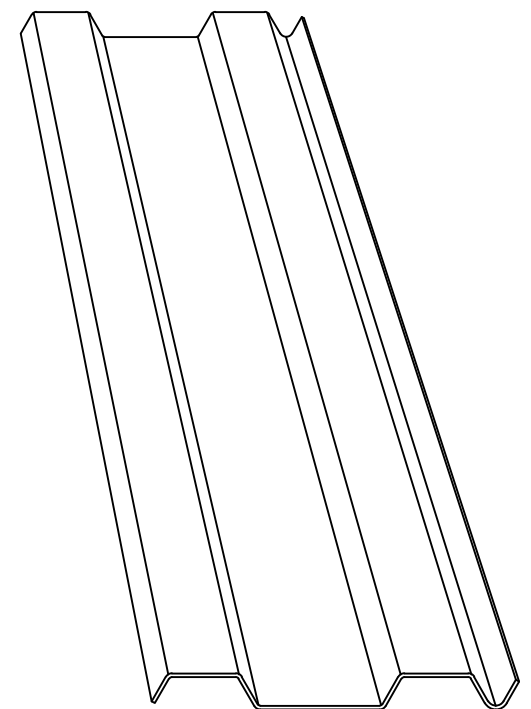
- Edge Safe Handrail System
- Ladder & Ladder Safe Platform
- Access Ramp
- Davit Arm Fall Arrest



SHS-400/6



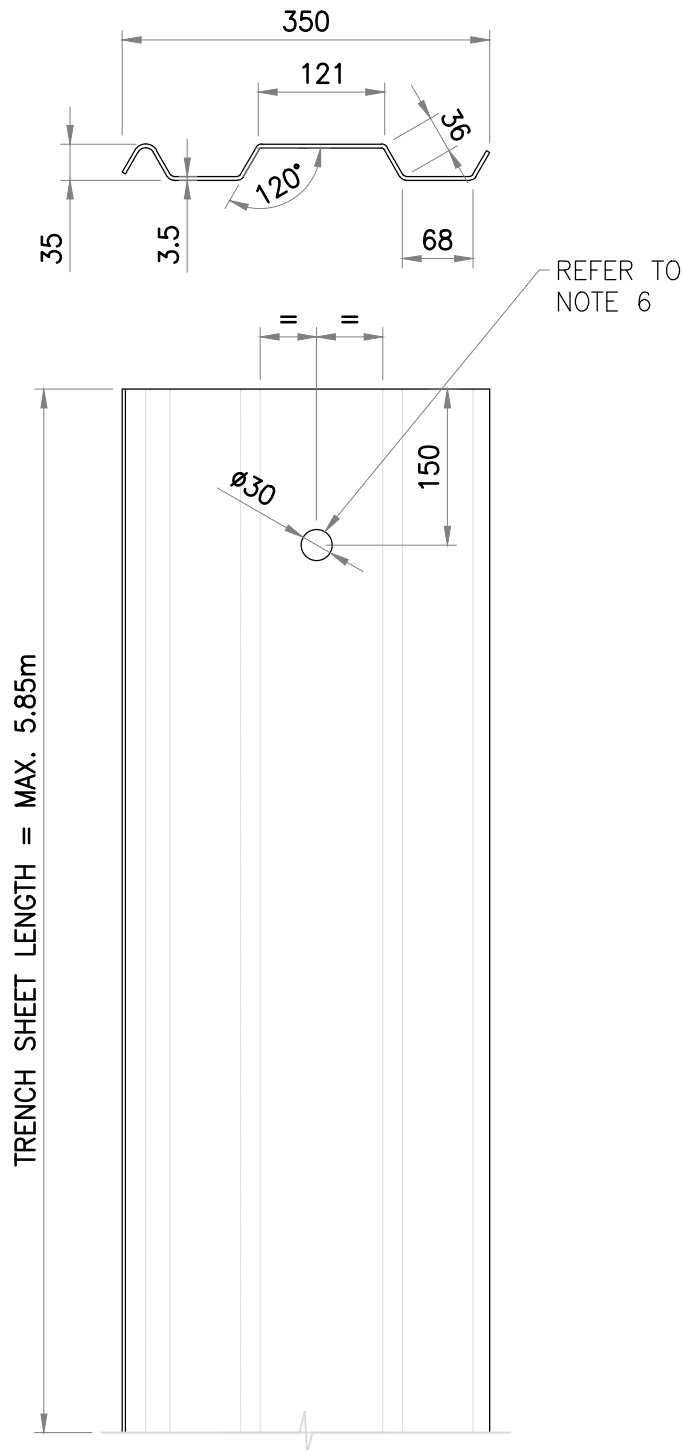
SHS-600/8



SHS-330/4

TECHNICAL DATA

SHS-330/4 TRENCH SHEET

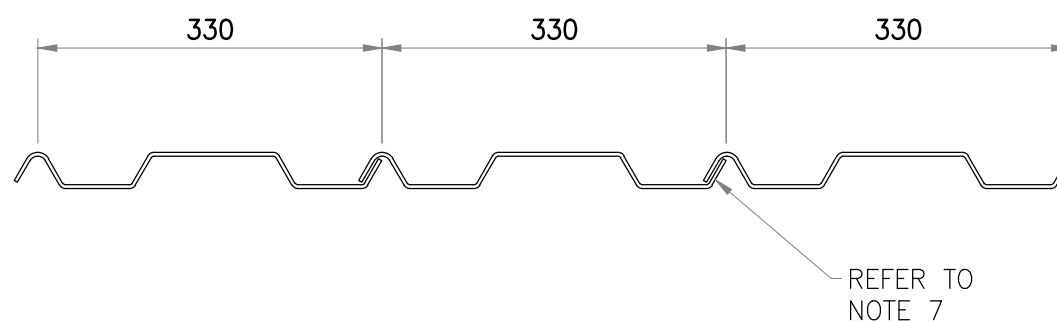


NOTES

1. All Trench Sheets have a minimum yield strength of 275MPa.
2. All dimensions in mm U.N.O.
3. Details of Series 200 Hydraulic Bracing System, Shore 400 & Shore 1000 props and accessories are outlined in the respective technical data documents.
4. Trench sheet lengths may vary as damaged sheets are re-rolled and/or cut accordingly.
5. Trench sheet bending moment capacity is calculated with a material factor of 0.9 (AS4100) and a 1.5 FOS (Factor Of Safety).
6. Pin for Driving Cap or Sheet Extractor is to be installed through hole in trench sheet.
7. A coverage of 330mm is achieved when trench sheets are overlapped as shown.

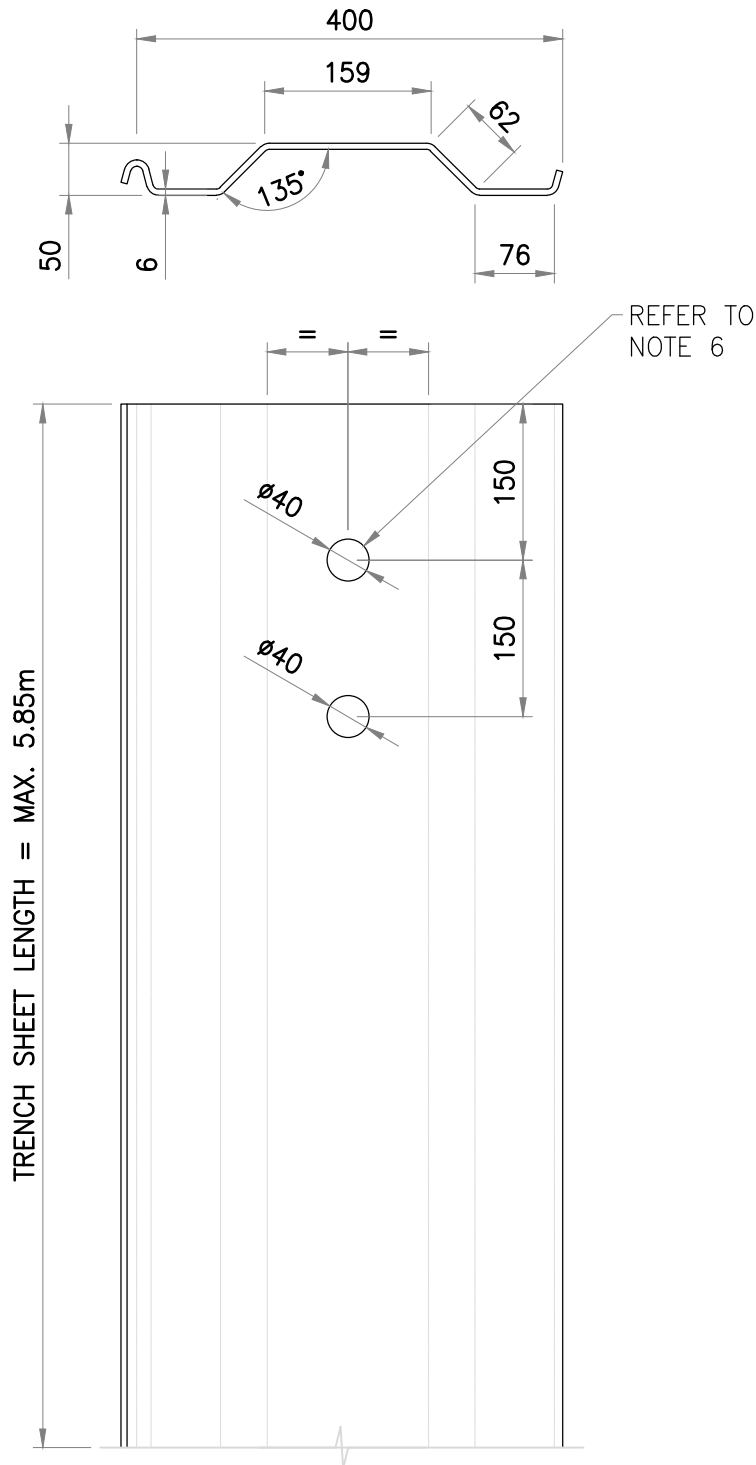
SHS-330/4 TRENCH SHEET

SECTION PROPERTIES	VALUE
MIN. YIELD STRENGTH, f_y'	275 MPa
STEEL THICKNESS, t	3.5 mm
SHEET WIDTH, w	350 mm
COVERAGE, x	330 mm
DEPTH OF SECTION, d	35 mm
WEIGHT PER LINEAR METER, m	11.3 kg
SECTION MODULUS PER METER, Z	45.7 cm ³ /m
MOMENT OF INERTIA PER METER, I	84.8 cm ⁴ /m
SHEET BENDING MOMENT CAPACITY, M^* (REFER TO NOTE 5)	7.5 kN.m/m



TECHNICAL DATA

SHS-400/6 TRENCH SHEET

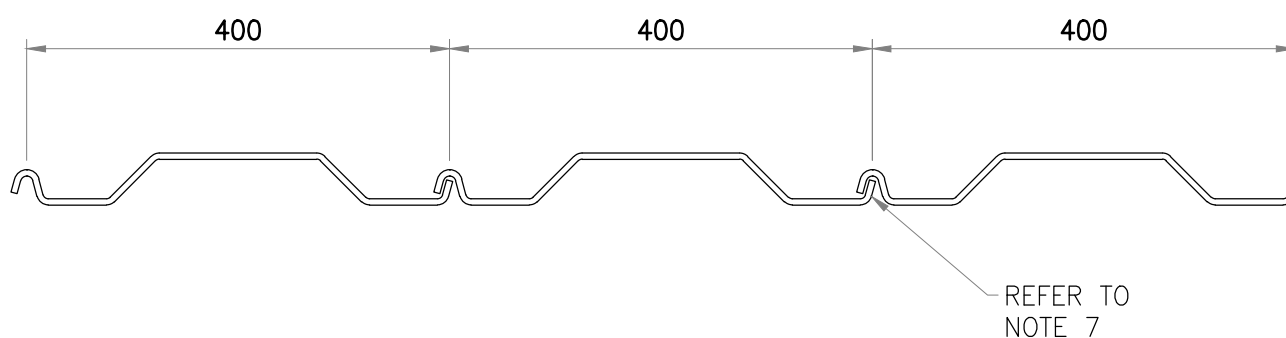


NOTES

1. All Trench Sheets have a minimum yield strength of 275MPa.
2. All dimensions in mm U.N.O.
3. Details of Series 200 Hydraulic Bracing System, Shore 400 & Shore 1000 props and accessories are outlined in the respective technical data documents.
4. Trench sheet lengths may vary as damaged sheets are re-rolled and/or cut accordingly.
5. Trench sheet bending moment capacity is calculated with a material factor of 0.9 (AS4100) and a 1.5 FOS (Factor Of Safety).
6. Pin for Driving Cap or Sheet Extractor is to be installed through hole in trench sheet.
7. A coverage of 400mm is achieved when trench sheets are overlapped as shown.

SHS-400/6 TRENCH SHEET

SECTION PROPERTIES	VALUE
MIN. YIELD STRENGTH, f_y'	275 MPa
STEEL THICKNESS, t	6.0 mm
SHEET WIDTH, w	420 mm
COVERAGE, x	400 mm
DEPTH OF SECTION, d	50 mm
WEIGHT PER LINEAR METER, m	22.1 kg
SECTION MODULUS PER METER, Z	98.8 cm ³ /m
MOMENT OF INERTIA PER METER, I	250.0 cm ⁴ /m
SHEET BENDING MOMENT CAPACITY, M^* (REFER TO NOTE 5)	16.3 kN.m/m



TECH DATA REF: SHORING

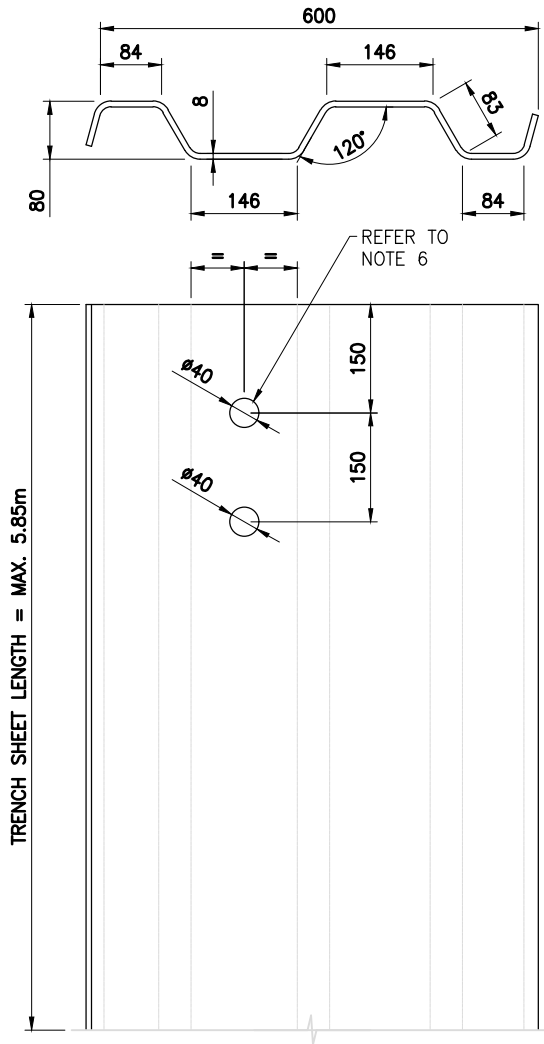
PRODUCT: TRENCH SHEETS
REFERENCE: TDS09-PAGE 4

shorehire.

Shore Hire Pty. Ltd.
 PO Box CP449
 354 Edgar Street
 Condell Park
 NSW 2200
 Tel: 02 8708 1200
 Fax: 02 8708 1222
 Email: info@shorehire.com.au
 Web: www.shorehire.com.au

TECHNICAL DATA

SHS-600/8 TRENCH SHEET

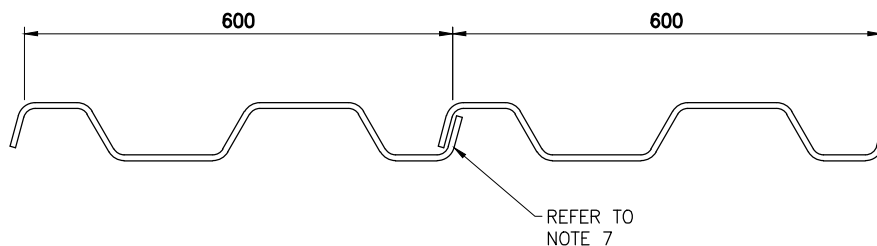


NOTES

1. All Trench Sheets have a minimum yield strength of 275MPa.
2. All dimensions in mm U.N.O.
3. Details of Series 200 Hydraulic Bracing System, Shore 400 & Shore 1000 props and accessories are outlined in the respective technical data documents.
4. Trench sheet lengths may vary as damaged sheets are re-rolled and/or cut accordingly.
5. Trench sheet bending moment capacity is calculated with a material factor of 0.9 (AS4100) and a 1.5 FOS (Factor Of Safety).
6. Pin for Driving Cap or Sheet Extractor is to be installed through hole in trench sheet.
7. A coverage of 600mm is achieved when trench sheets are overlapped as shown.

SHS-600/8 TRENCH SHEET

SECTION PROPERTIES	VALUE
MIN. YIELD STRENGTH, f_y'	275 MPa
STEEL THICKNESS, t	8.0 mm
SHEET WIDTH, w	620 mm
COVERAGE, x	600 mm
DEPTH OF SECTION, d	80 mm
WEIGHT PER LINEAR METER, m	50.0 kg
SECTION MODULUS PER METER, Z	242.0 cm ³ /m
MOMENT OF INERTIA PER METER, I	947.0 cm ⁴ /m
SHEET BENDING MOMENT CAPACITY, M^* (REFER TO NOTE 5)	39.9 kN.m/m



TECH DATA REF: SHORING

PRODUCT: TRENCH SHEETS

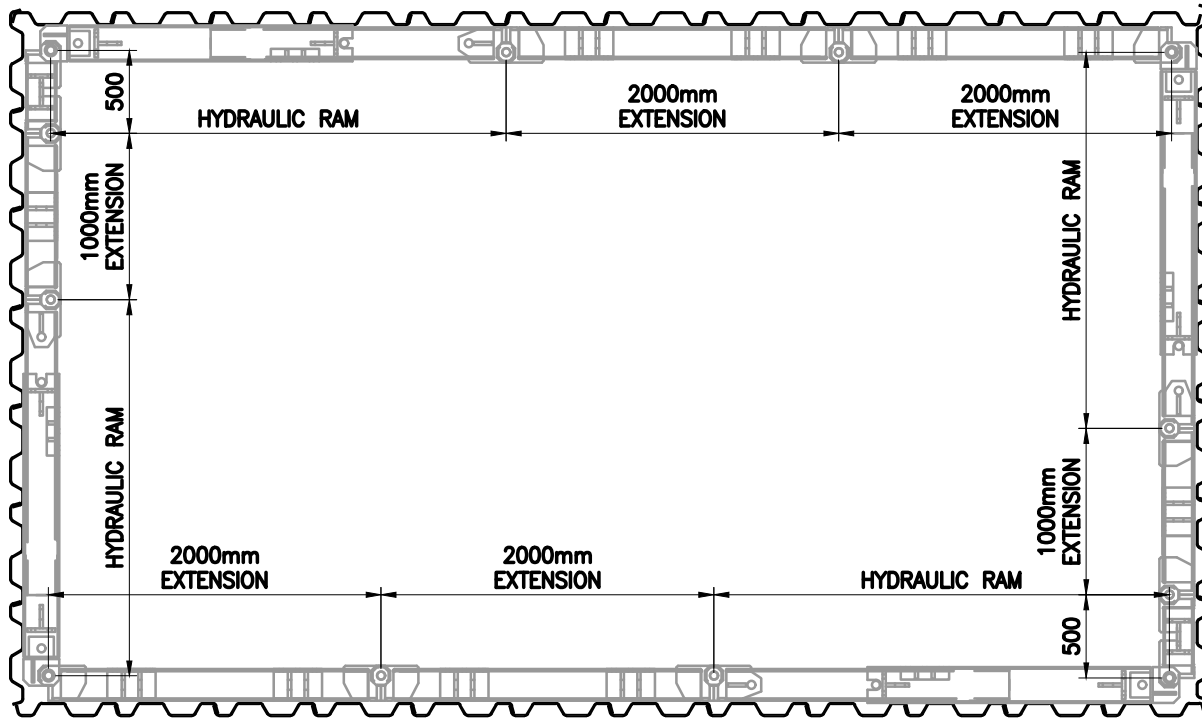
REFERENCE: TDS09-PAGE 5

shorehire.

Shore Hire Pty. Ltd.
PO Box CP449
354 Edgar Street
Condell Park
NSW 2200
Tel: 02 8708 1200
Fax: 02 87081222
Email: info@shorehire.com.au
Web: www.shorehire.com.au

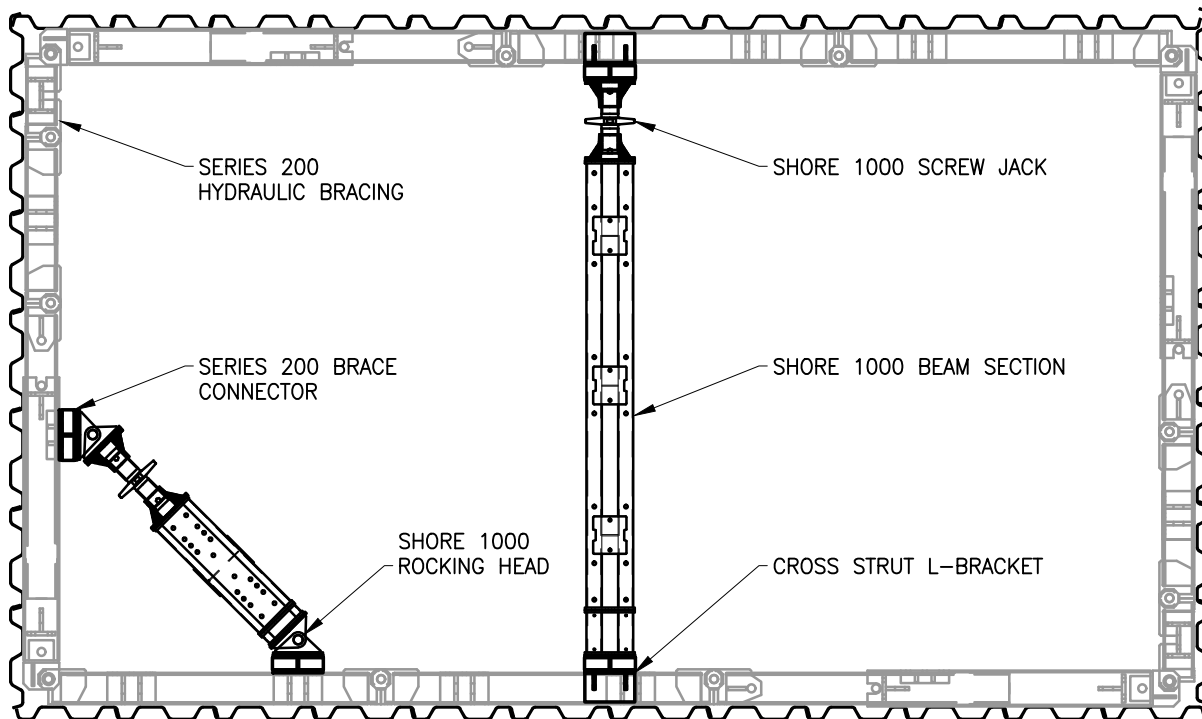
TECHNICAL DATA

TRENCH SHEET BRACING



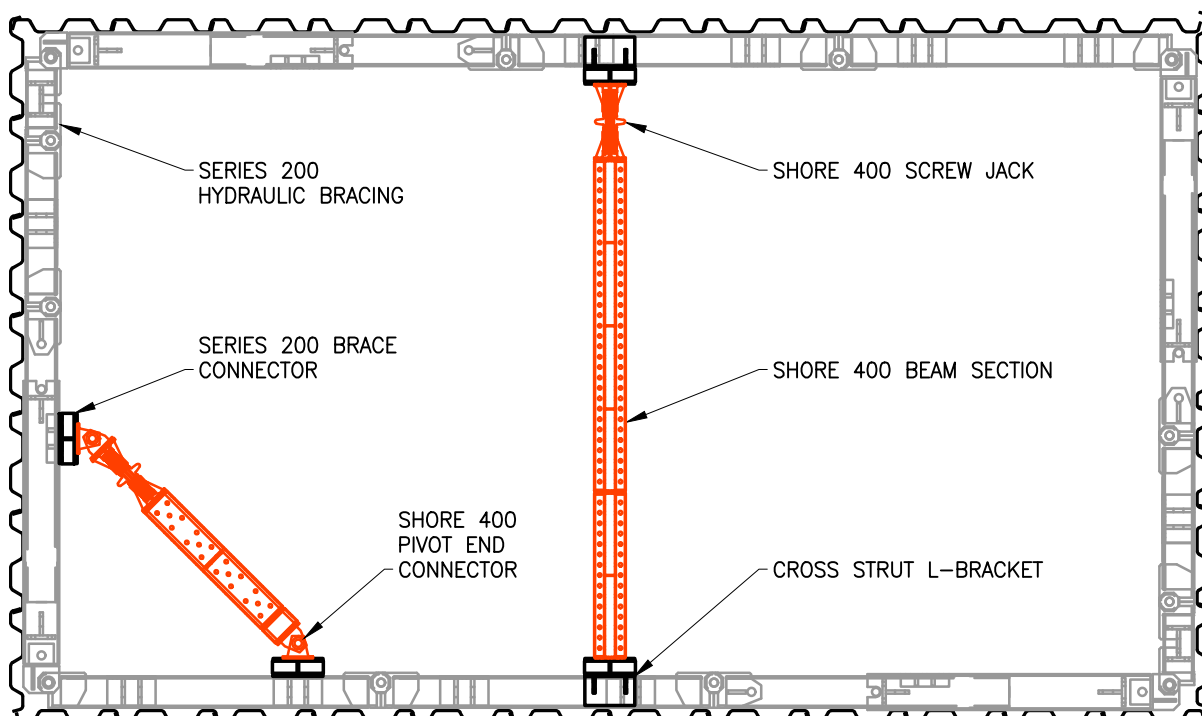
Series 200 Hydraulic Bracing

- Hydraulic Ram Unit (2000-3200mm) - 420kg
- Mechanical Extension (Fixed Lengths) (1900-2150-2400-2650-2900mm) - 285kg
- 2000mm Extension - 277kg
- 1000mm Extension - 179kg
- 500mm Extension - 138kg
- Cross Strut Brackets
- Hanging Chains, Pins, Clips & Bolts
- Moment Capacity, $M^* = 225\text{kN.m}$



Shore 1000 Cross/Knee Bracing

- 2700mm Section - 162kg
- 1800mm Section - 114kg
- 900mm Section - 66kg
- 450mm Section - 46kg
- 270mm Section - 36kg
- 90mm Section - 26kg
- Screw Jack - 60kg
- Rocking Head - 50kg
- Connection Brackets
- Grade 8.8 M20 Bolts



Shore 400 Cross/Knee Bracing

- 2000mm Section - 56kg
- 1000mm Section - 30kg
- 500mm Section - 18kg
- 250mm Section - 11kg
- 125mm Section - 8kg
- Screw Jack - 21kg
- Pivot End Connector - 10kg
- Connection Brackets
- Grade 8.8 M18 Bolts